



12V 300W AIR FRYER

OWNER'S GUIDE



WARNING

Includes
2x Brackets
1x Tray



The oven, its surfaces, latches, contents, and handles may be hot when in use and after use. Users are to ensure precautions are taken before handling or touching its surfaces.

Ensure that the oven is out of reach of children.



Distributed By
Australian RV Accessories P/L
924 Burwood Highway Ferntree Gully 3156
austrv.com.au

PC: 3124

PLEASE READ AND SAVE THESE IMPORTANT INSTRUCTIONS

IMPORTANT SAFETY INSTRUCTIONS

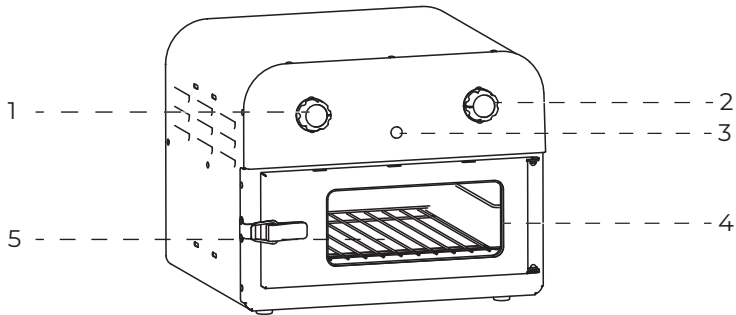
When using electrical appliances, especially when children are present, basic safety precautions should always be taken including the following:

Read all instructions before using this appliance.

. *IMPORTANT:* This product is unfused. Please ensure it is connected to a fused circuit. Recommended 40A fuse.

- . Unplug the appliance from the socket when not in use or before cleaning it. Allow it to cool down before installing/removing parts or cleaning/handling the device.
- . Do not touch hot surfaces. Use handles or knobs.
- . Do not place the Air oven in water or other liquids to prevent electric shock. Please refer to the cleaning instructions when cleaning is required.
- . Do not use this appliance near children or disabled people.
- . Do not use this appliance if the power cord or plug is damaged , if the appliance is malfunctioning, or if it has been dropped or damaged.
- . Do not use the device outdoors in the rain.
- . Do not allow the power cord to hang over the edge of a table or countertop(whete it may be accidentally pulled by children or pets) or contact hot surfaces as this may cause damage to the power cord.
- . Do not place any materials like paper, cardboard,plastic, or similar items in the oven.
- . Do not use metal scouring pads to clean this appliance. Metal debris may full of such scouring pads and touch electrical components causing a risk of electric shock.
- . Do not remove food from the oven while the air oven is plugged in .
- . **WARNING:** Do not leave the air oven unattended while it is in use to avoid the risk of fire.
- . Turn the timer dial to the OFF position to turn off the air oven .

FEATURES



1. **Temperature dial:** For setting the temperature (Maximum 200 C)
2. **Time dial:** Used to set the time (up to 120 minutes). The mechanical timer has an automatic shut-off function, which will automatically shut off the power when the time is up.
3. **Power indicator:** When the product is in use, the indicator light comes on and stays on .
4. **Observation window:** Check cooking progress at any time.
5. **Frying Rack:** Put the frying rack in a suitable position (Lower level or Upper level) .

Temperature Range	Up to 200 Degrees
Timer	Up to 120 Minutes
Input Voltage	12V DC
Wattage	300W
Casing	Stainless Steel
Warranty	1 Year
Cooking Area	6.5 Litres
Connection Type	Anderson Plug

BEFORE USING

1. Place the air oven on a flat, level surface.
2. Place the oven 5 to 10cm away from any objects on the countertop. Do not use on heat-sensitive surfaces.
3. The air oven comes with a pair of brackets that can be used to secure the oven to your desired surface. There are slots for the brackets in the side of the oven in two different configurations. We recommend periodically checking it is secure.

Note: Do not place items on the top of the air oven. Before using the oven, please remove all items placed on the top. During use, the surface of the air oven will become very hot. Please place the air oven out of the reach of children .

HOW TO OPERATE

Please follow the steps below:

- 1.Put the frying rack on the ledges on both sides of the air oven.
- 2.Turn the temperature setting knob to select the cooking temperature (Maximum 200°C)
- 3.Turn the timer knob to select the cooking time (up to 120 minutes).
- 4.The indicator light turns red, indicating that cooking has started.
- 5.When the timer turns off automatically, cooking is finished.
- 6.The air oven comes with a pair of brackets that can be used to secure the oven to your desired surface. There are slots for the brackets in the side of the oven in two different configurations. We recommend periodically checking it is secure.

COOKING TIPS

- It is important not to overload the oven, it will extend the cooking time.
- Defrosted food will cook quicker and more evenly. Frozen food will lower the internal temperature of the oven.
- If you place your food on the bottom of the oven, make sure you keep an eye on it as the bottom may burn.

CLEANING AND MAINTENANCE

- Before cleaning the appliance, always unplug it from the power socket and wait for the air oven to cool down completely.
- Before removing the frying rack, wait for the hot oil to cool down to ensure safety.
- Do not use abrasive cleaners, which may damage the air oven surface. Simply wipe the surface with a clean, damp cloth and allow to dry thoroughly. Before cleaning, spray the cleaner onto the cloth (not directly onto the air oven surface).
- Use a damp cloth and mild soap, or a sponge and spray to clean the inside of the air oven. Use a clean damp cloth to wipe away any detergent residue. Do not use abrasive or corrosive cleaning products. Such cleaners may damage the air oven surface. Do not use steel wool to scrub the inside of the air oven.
- Please soak the frying rack in hot soapy water, and then use a nylon scouring pad or nylon brush to clean. Do not put the frying rack in the dishwasher for cleaning.
- After cooking foods with a high oil content. Wait for the air oven to cool down before cleaning the top layer inside.